

LASERBOY II

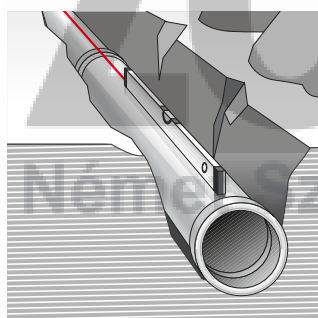
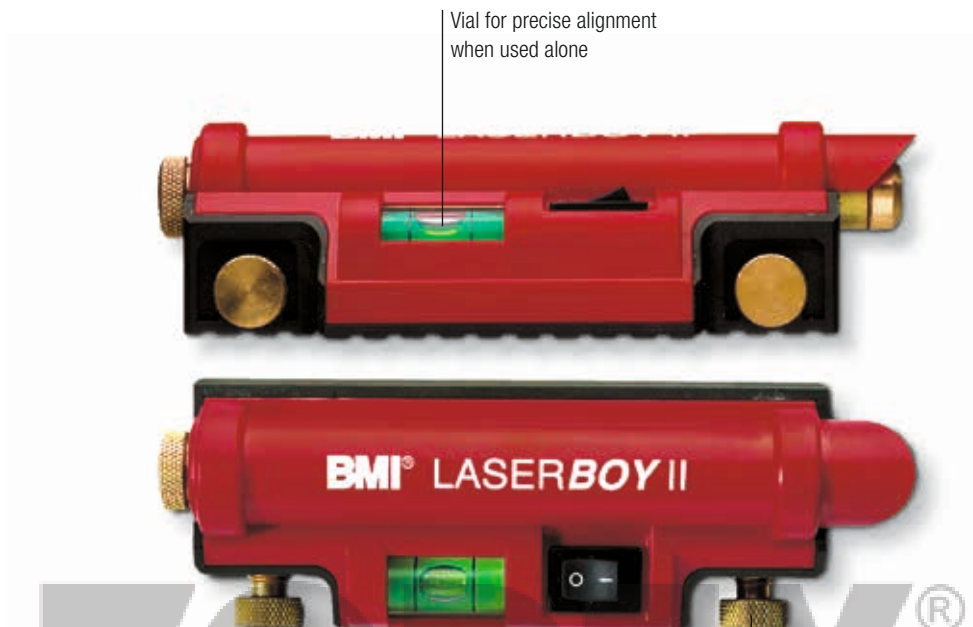
Length 165 mm
Article N°. 649 015

Handy laser that can turn any spirit level or straight edge with a width of 18 – 24 mm into a laser level. 2 brass thumb screws ensure a secure connection. The device has a vial with a mounting accuracy of 0.5 mm/m. The Laserboy II can also be used on its own. The parallel tolerance of the beam in relation to the measuring plane is 0.2 mm/m. 3/8" thread for tripod attachment. As an optional accessory, a beam deflecting prism adapter allows the laser to display a 90° angle beam. Packaged in either a cardboard box or blister pack.

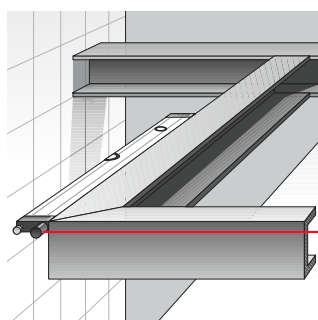
Technical Data:

- Class 2, output < 1 mW
- Wavelength 670 nm
- Range approx. 30 m
- 2 x 1,5 V batteries (LR03 Micro)
- Reverse polarity protected
- Laser beam lasts 8 hours
- Dust and moisture resistant
- Dimensions L/W/H approx. 165 x 55 x 45 mm

Batteries included.



Example of use without accessories



2 brass thumb screws for a quick and secure mount

Accessories:

Beam deflecting prism and adapter. For displaying right angle line.

Article N°. 708 19 52



ZOREX®
 Német Szerszám Képviselet